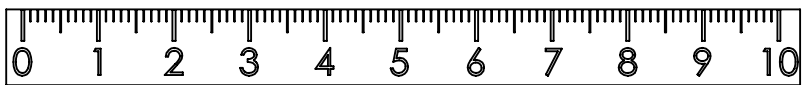
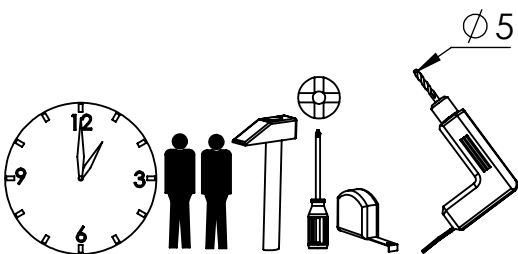
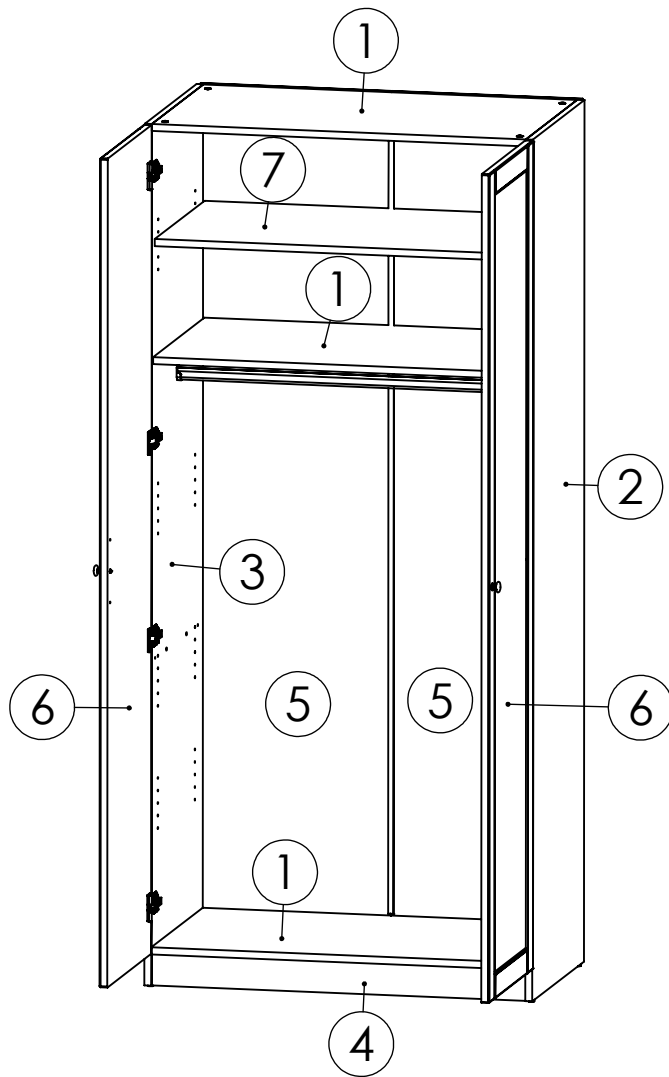
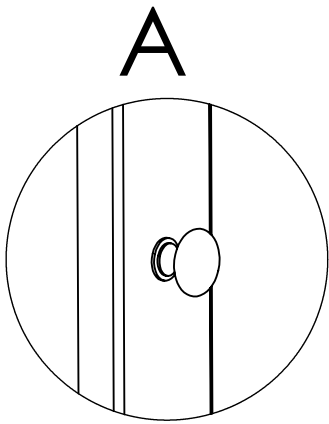


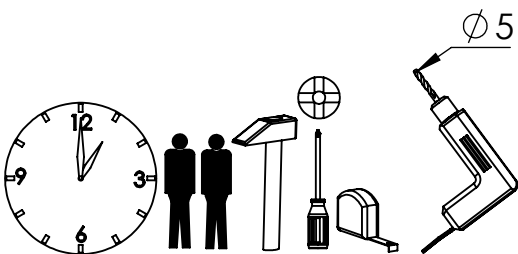
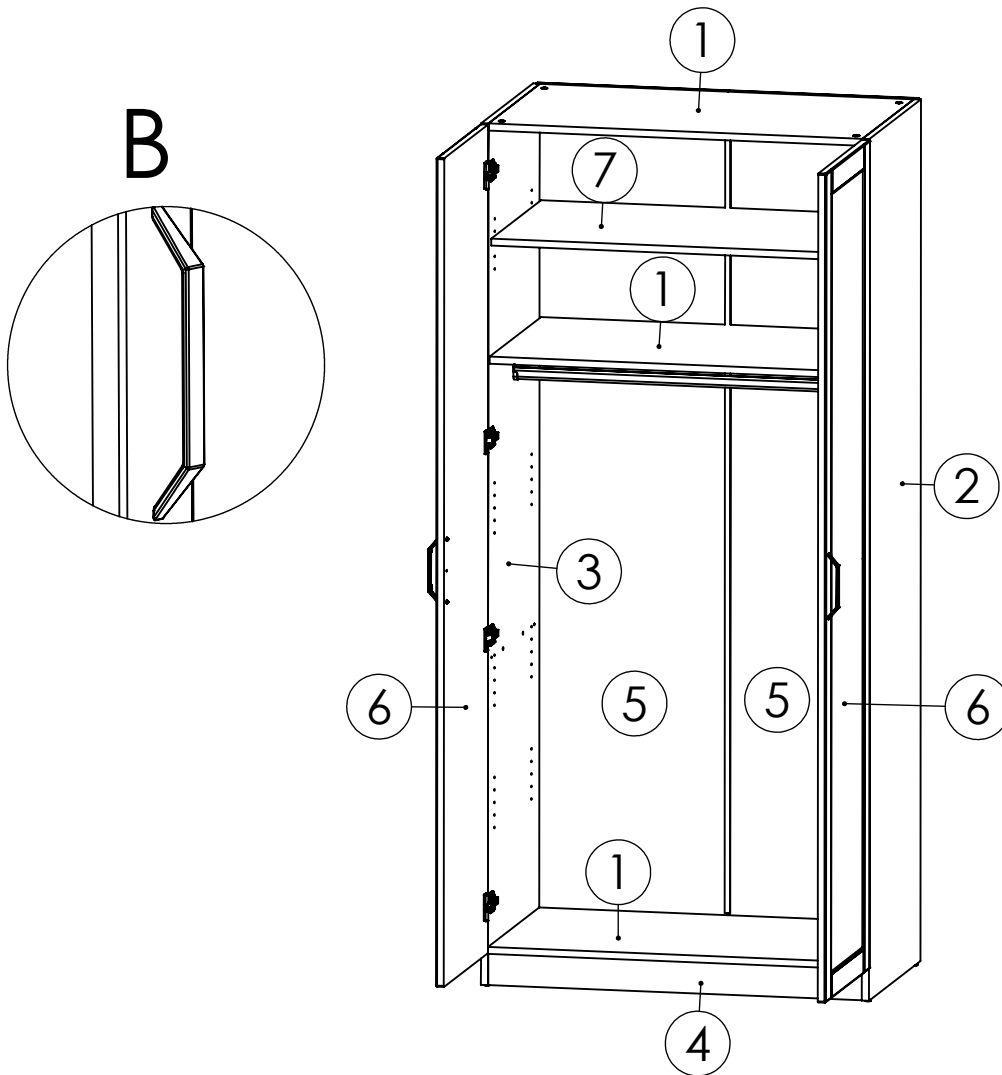
**PC AMELIA ormar 2D**



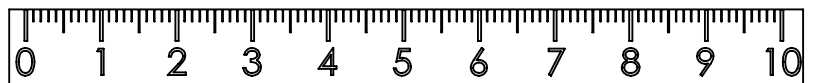
|    | DIM        | kom | pak |
|----|------------|-----|-----|
| 1. | 964 X 576  | 3   | 2   |
| 2. | 2200 X 580 | 1   | 1   |
| 3. | 2200 X 580 | 1   | 1   |
| 4. | 964 X 80   | 1   | 2   |
| 5. | 2120 X 491 | 2   | 1   |
| 6. | 2116 X 496 | 2   | 3   |
| 7. | 962 X 560  | 1   | 2   |

|                      |                               |   |                        |
|----------------------|-------------------------------|---|------------------------|
| 8x35<br>16X<br>05908 | 12X<br>00324                  | 7X24<br>12X<br>00323                    | 3,5X16<br>20X<br>01231 |
| M4x25<br>2X<br>20621 | 2X<br>20621                   | 4X<br>00182                             | 4X<br>06155<br>08597   |
| 4X<br>11030          | 4X<br>11033                   | 8X<br>11037                             | L 956<br>1X<br>00697   |
| 2X<br>00694          | 8X<br>11373<br>11374<br>00417 | L 2072<br>1X<br>00157<br>25131<br>25132 | 60X<br>10107           |

**PC AMELIA ormar 2D**



|    | DIM        | kom | pak |
|----|------------|-----|-----|
| 1. | 964 X 576  | 3   | 2   |
| 2. | 2200 X 580 | 1   | 1   |
| 3. | 2200 X 580 | 1   | 1   |
| 4. | 964 X 80   | 1   | 2   |
| 5. | 2120 X 491 | 2   | 1   |
| 6. | 2116 X 496 | 2   | 3   |
| 7. | 962 X 560  | 1   | 2   |

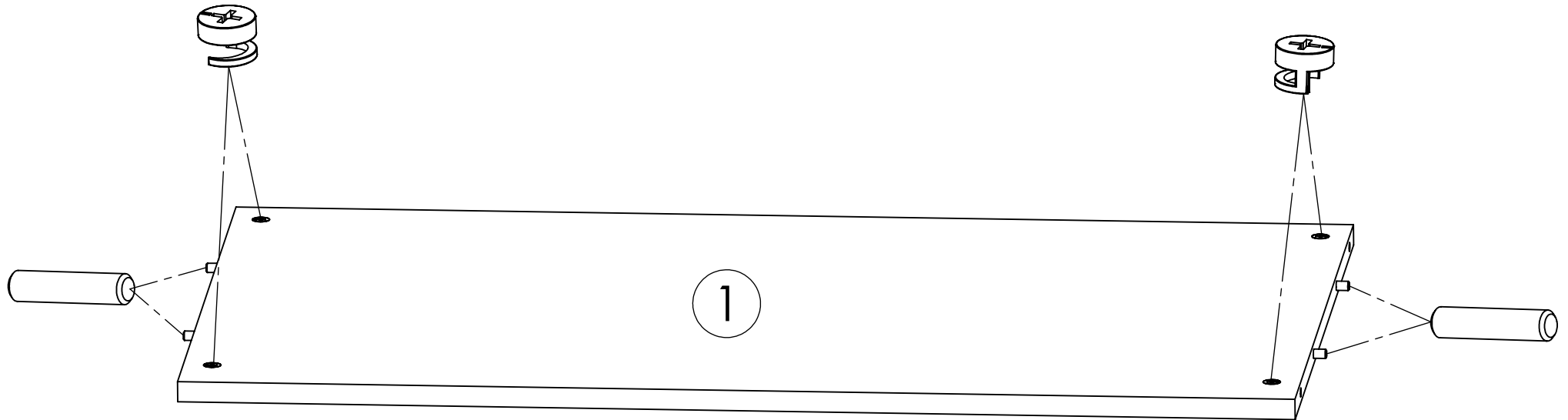
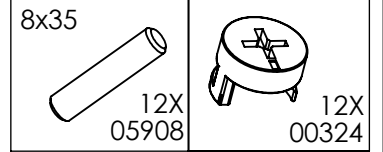


|                      |  |                               |   |                        |
|----------------------|--|-------------------------------|---|------------------------|
| 8x35<br>16X<br>05908 |  | 12X<br>00324                  | 7X24<br>12X<br>00323                    | 3,5X16<br>20X<br>01231 |
| M4x20<br>4X<br>01225 |  | 2X<br>24182                   | 4X<br>00182                             | 4X<br>06155<br>08597   |
| 4X<br>11030          |  | 4X<br>11033                   | 8X<br>11037                             | L 956<br>1X<br>00697   |
| 2X<br>00694          |  | 8X<br>11373<br>11374<br>00417 | L 2072<br>1X<br>00157<br>25131<br>25132 | 60X<br>10107           |

# PC AMELIA ormar 2D

1

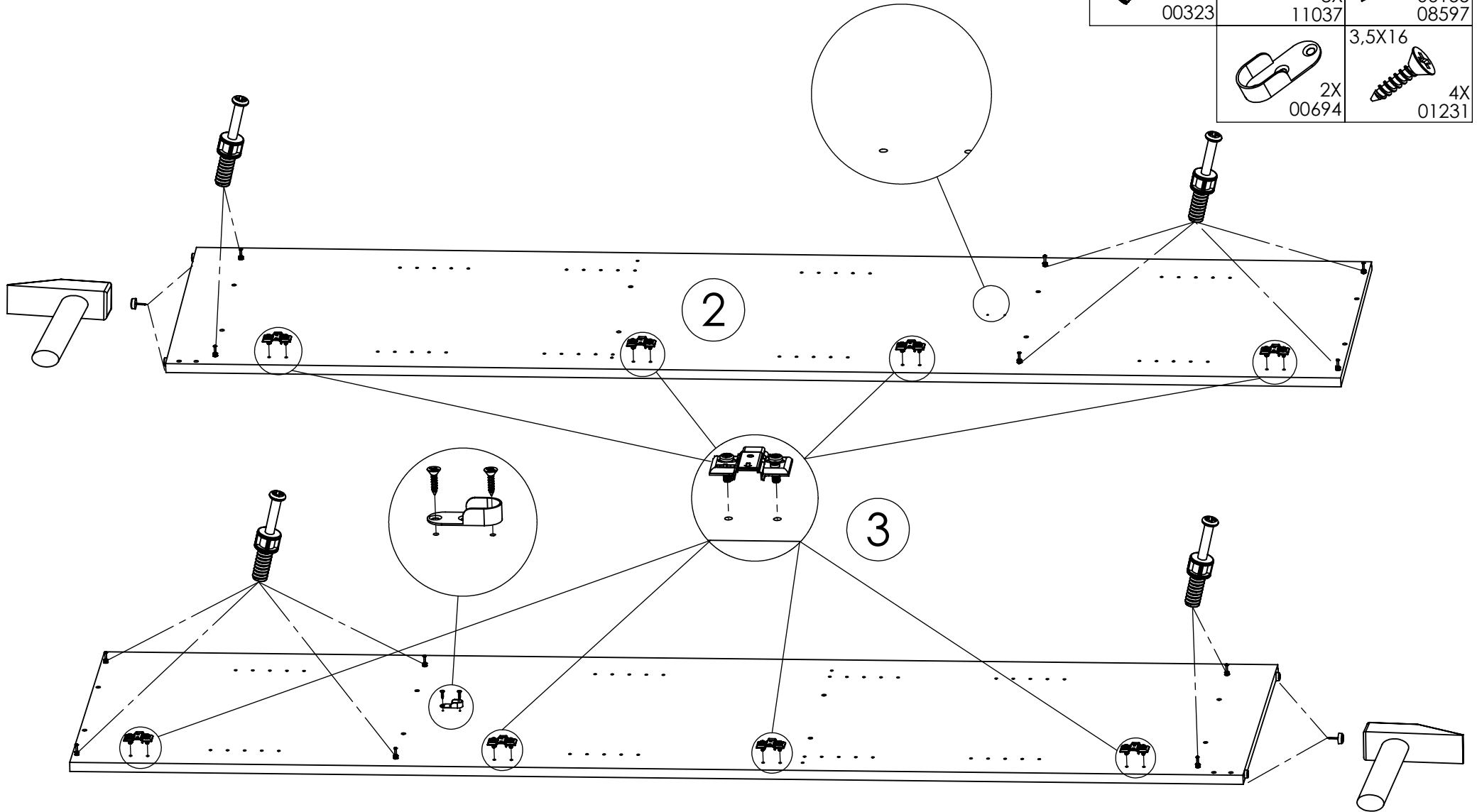
3X



# PC AMELIA ormar 2D

2

|                      |                       |                      |
|----------------------|-----------------------|----------------------|
| 7X24<br>12X<br>00323 | 8X<br>11037           | 4X<br>06155<br>08597 |
| 2X<br>00694          | 3,5X16<br>4X<br>01231 |                      |



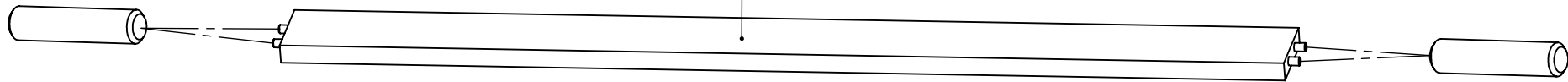
# PC AMELIA ormar 2D

3

|                     |                        |             |
|---------------------|------------------------|-------------|
| 8x35<br>4X<br>05908 | 3,5X16<br>16X<br>01231 | 4X<br>11033 |
|                     |                        | 4X<br>11030 |

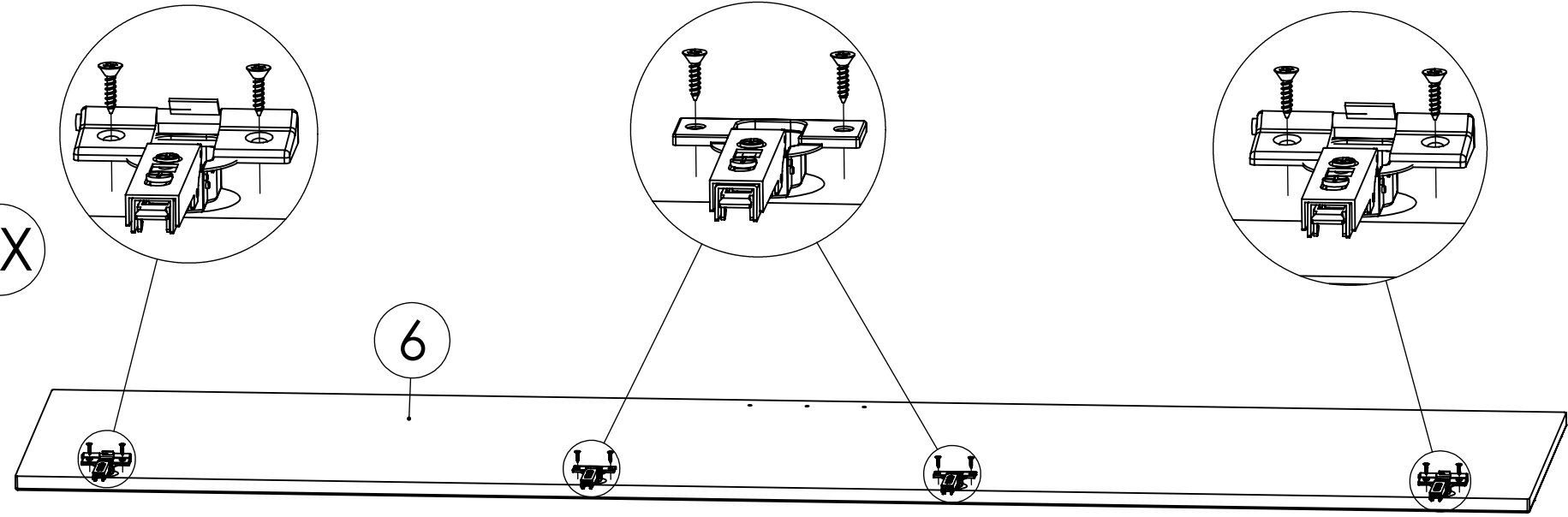
1X

4



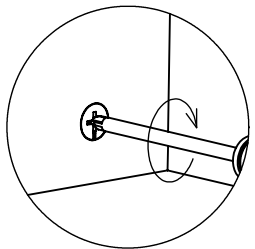
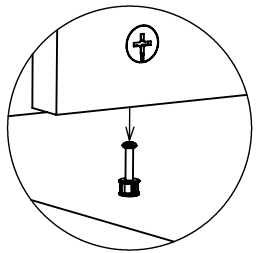
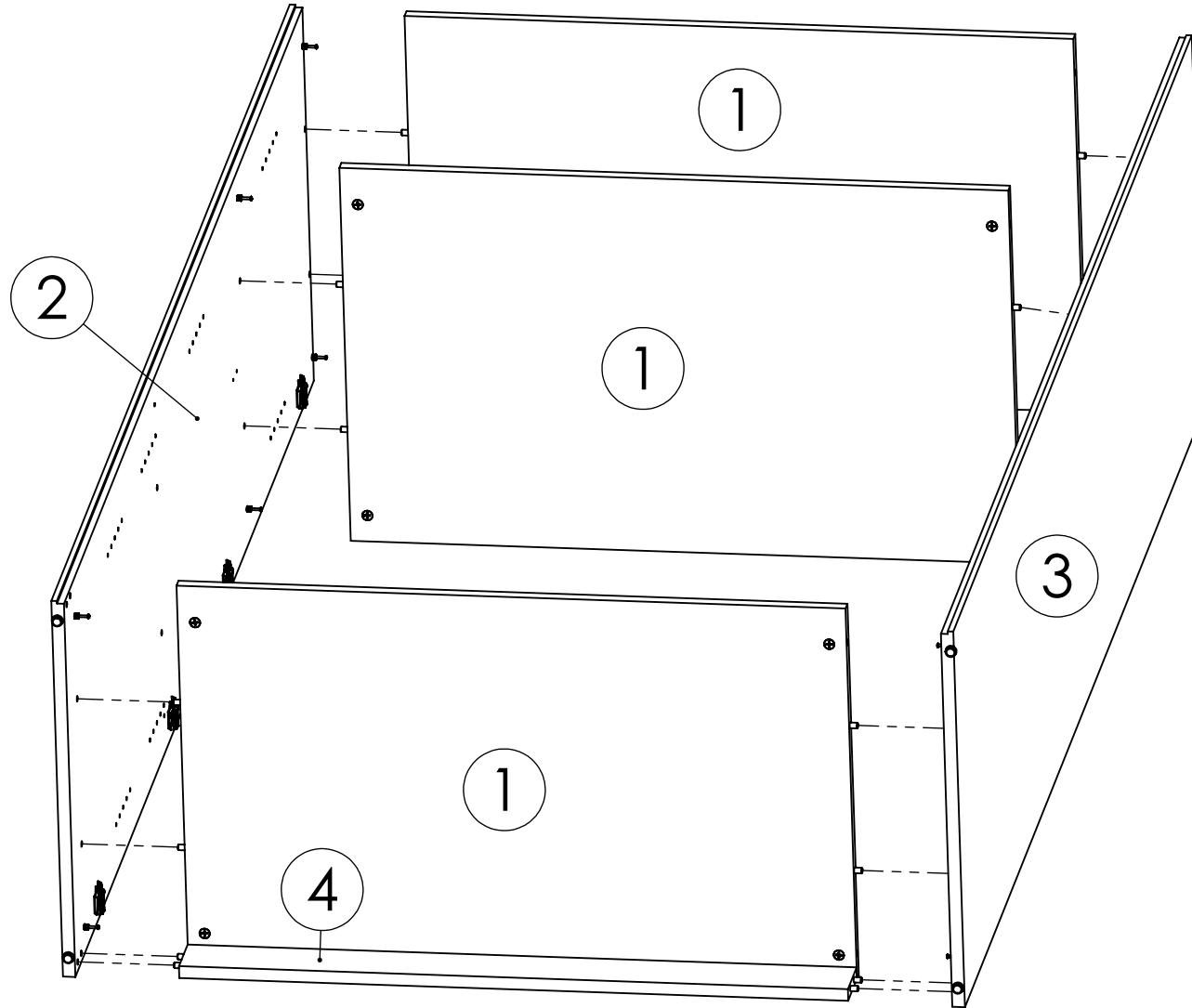
2X

6



# PC AMELIA ormar 2D

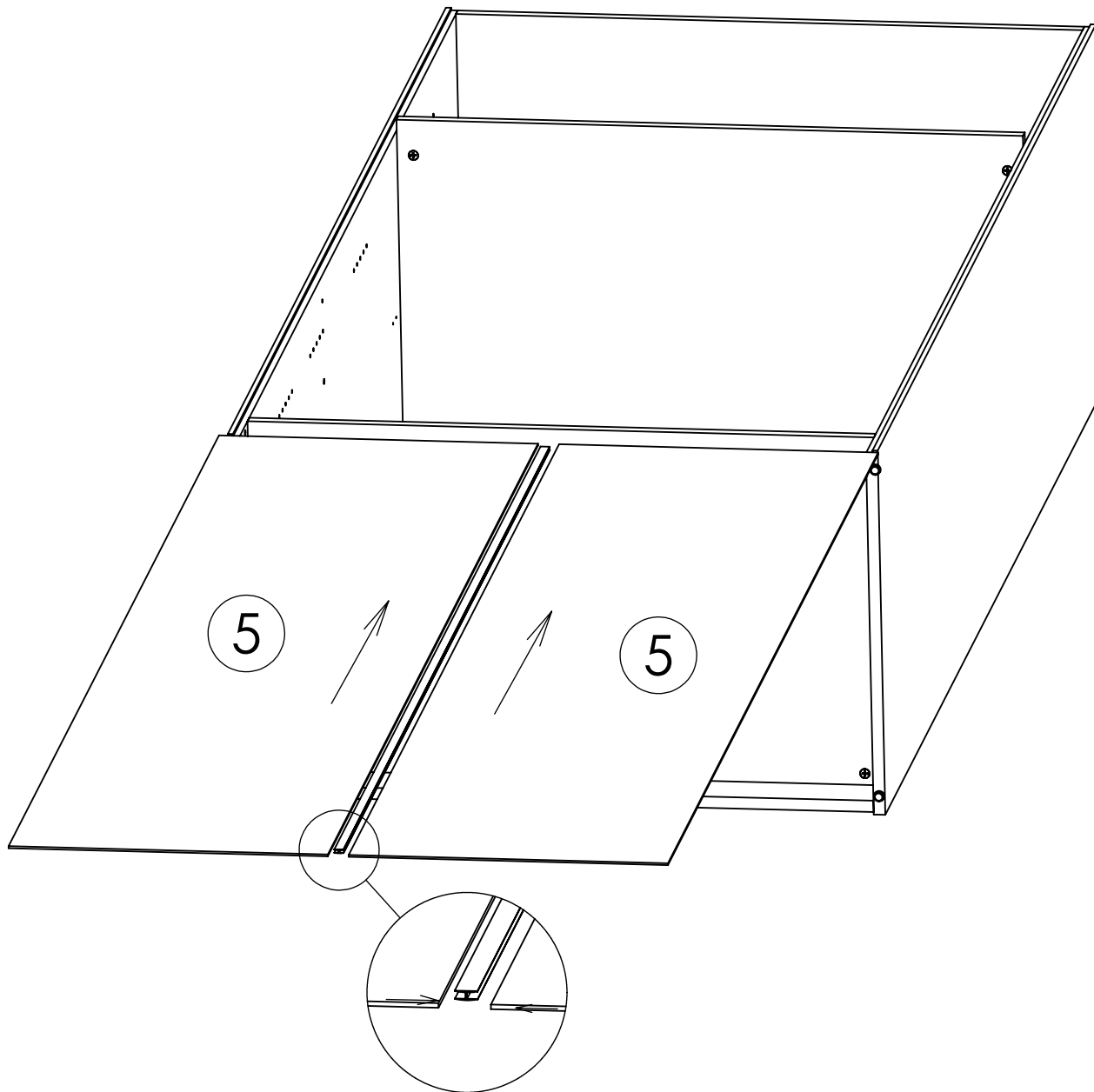
4



# PC AMELIA ormar 2D

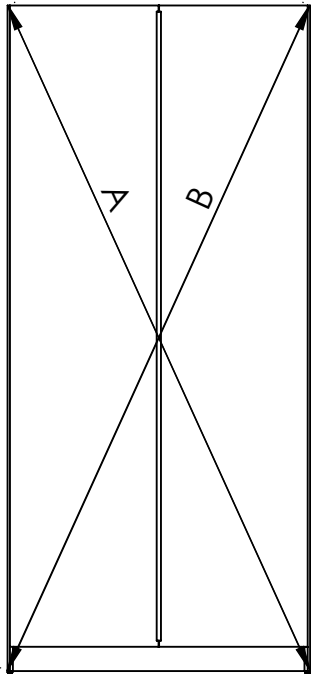
5

L 2072 1X  
00157  
25131  
25132

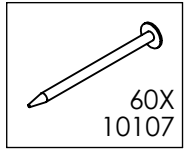
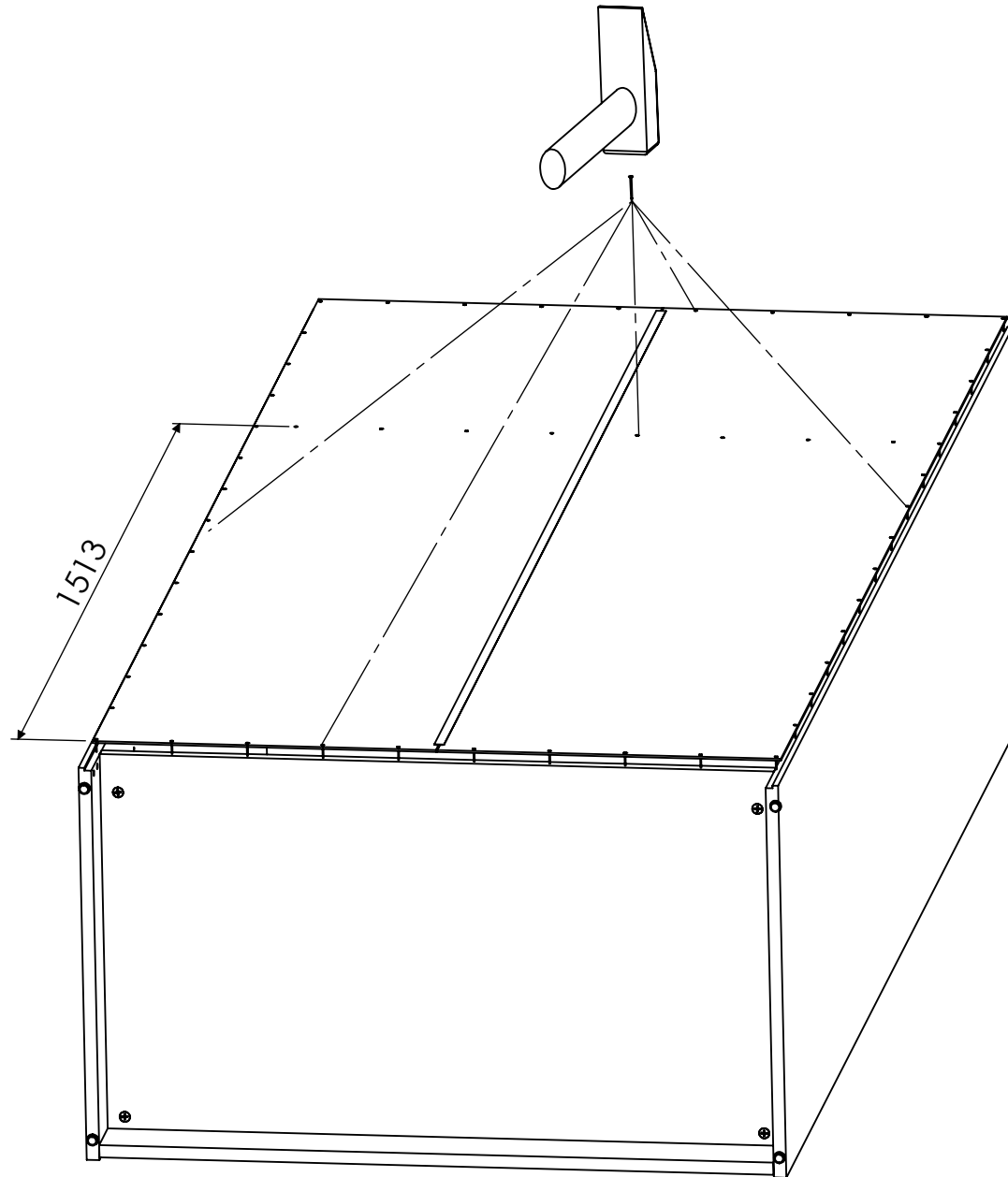


# PC AMELIA ormar 2D

6



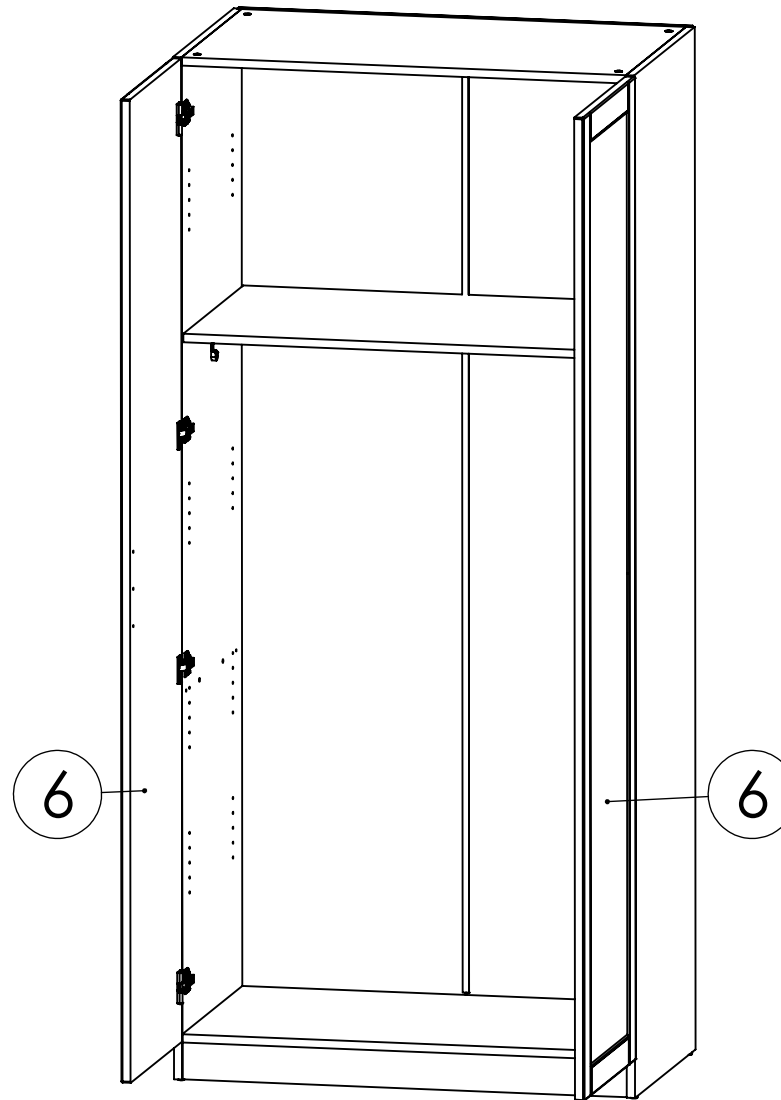
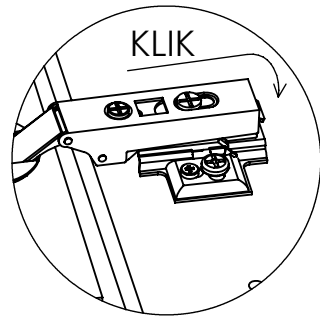
**A=B**





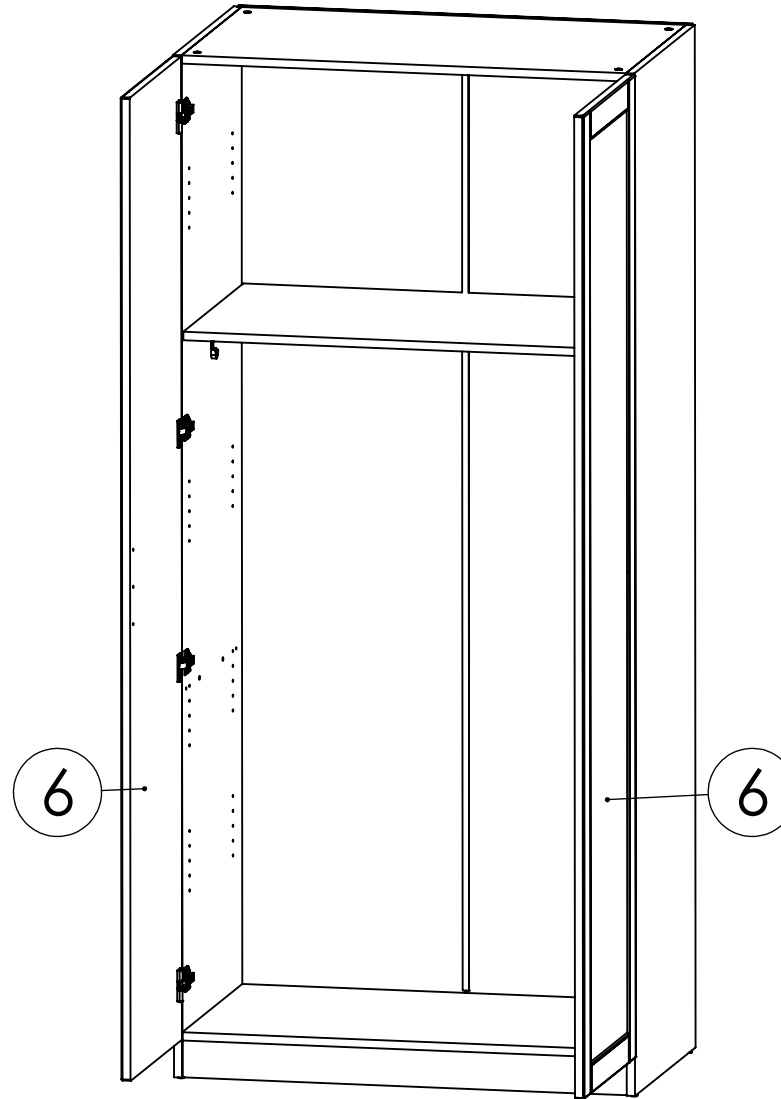
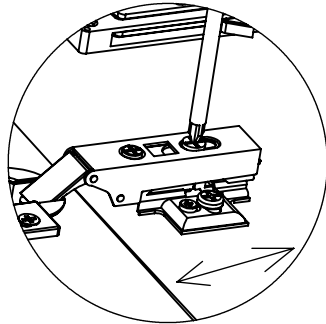
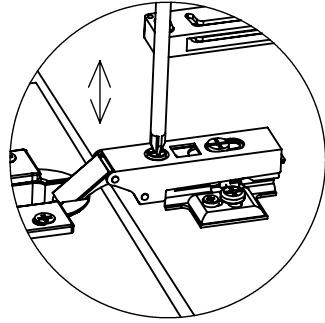
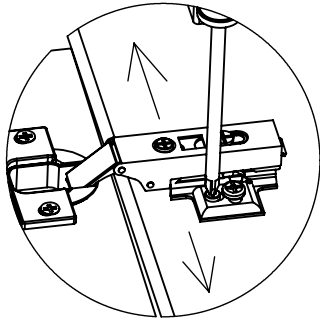
# PC AMELIA ormar 2D

7



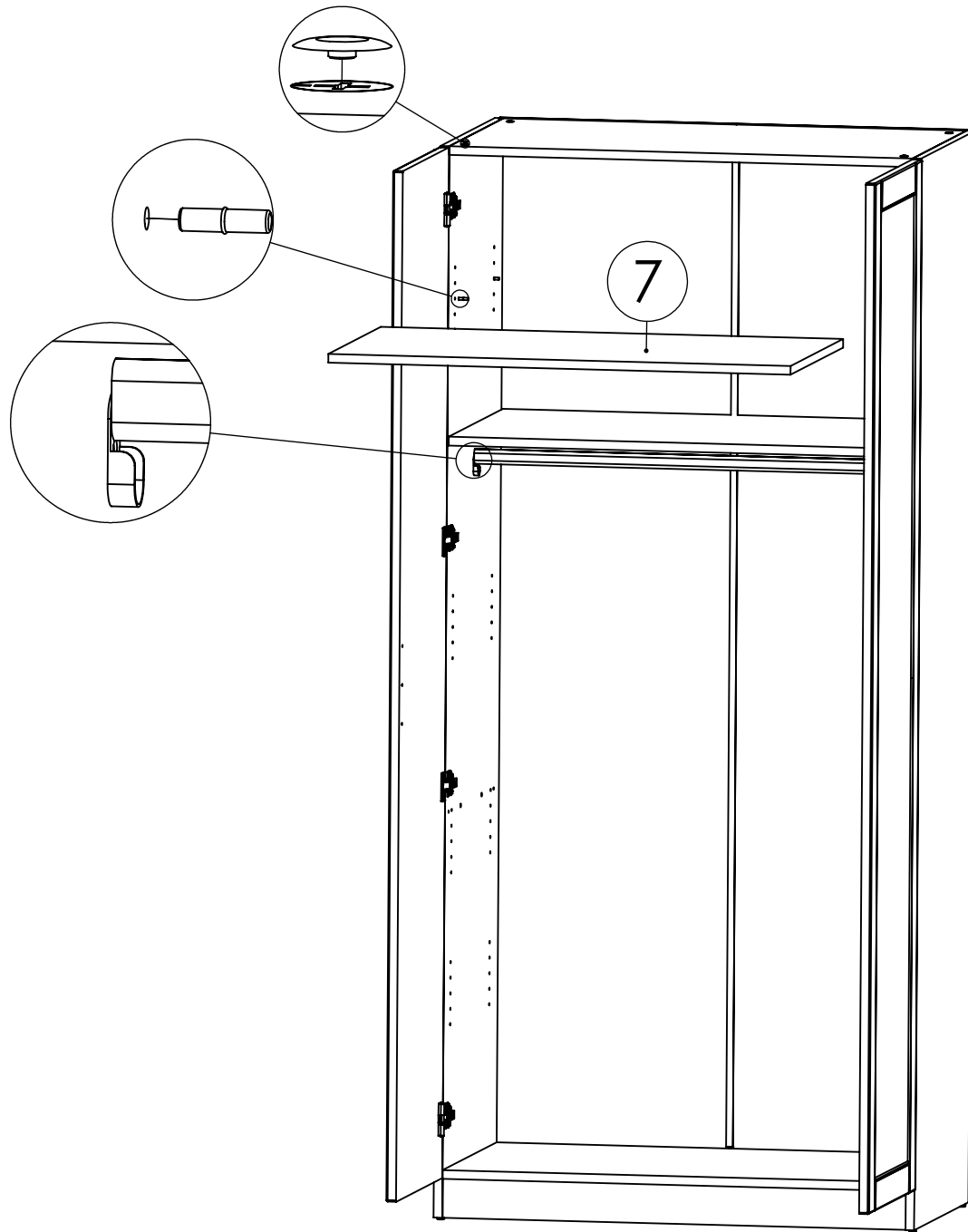
# PC AMELIA ormar 2D


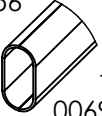

8



# PC AMELIA ormar 2D

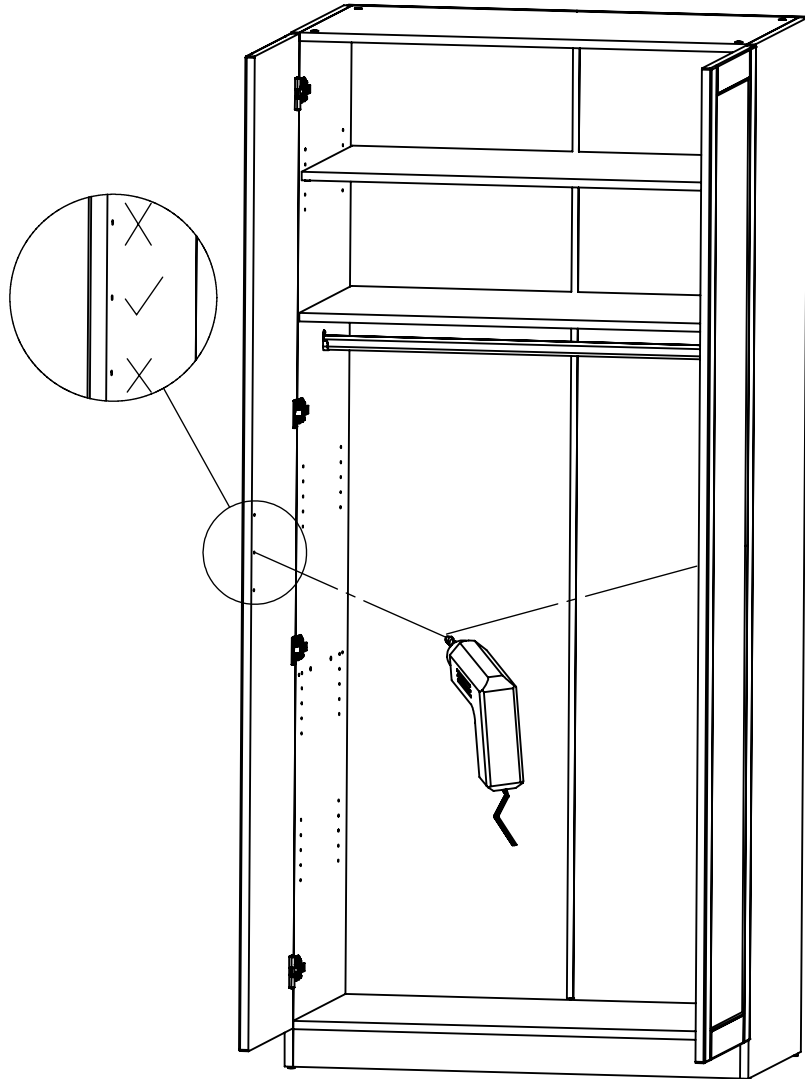
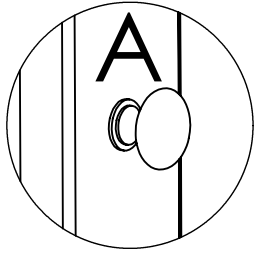
9



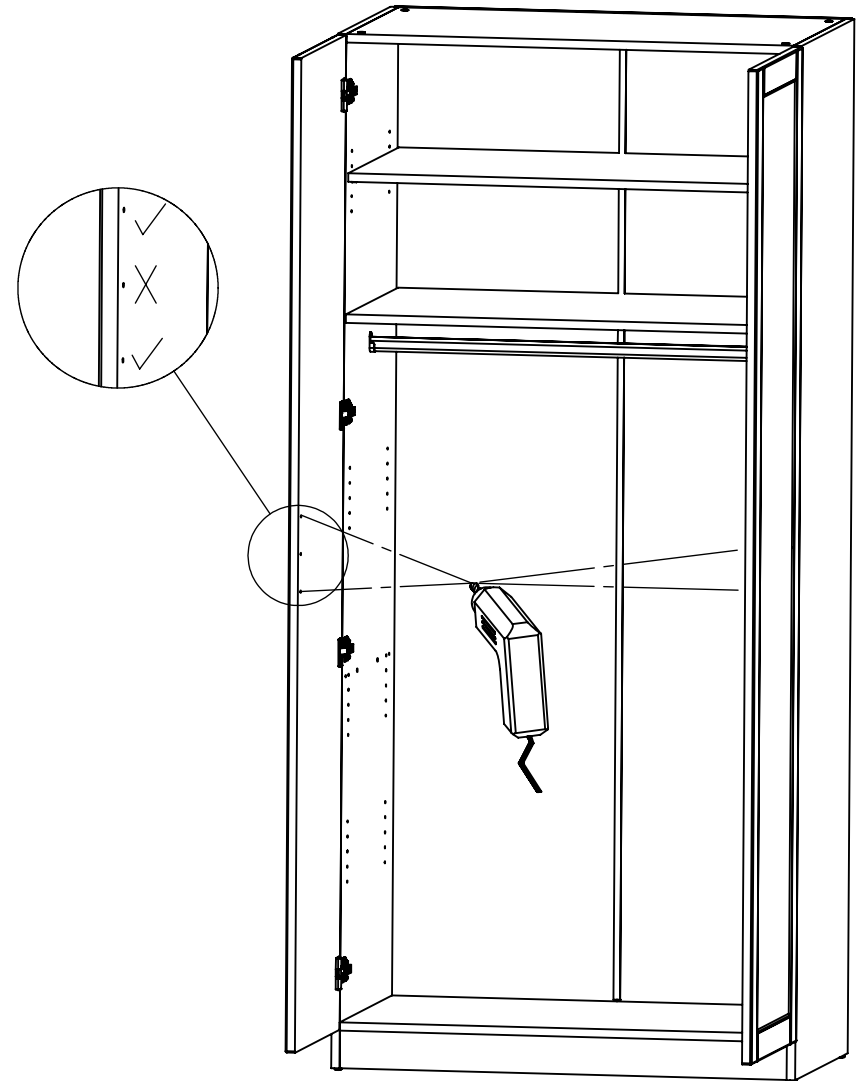
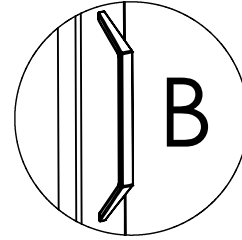
|  |   |  |
|--|---|--|
| <br>8X<br>00417<br>11373<br>11374 | L 956<br><br>1X<br>00697 | <br>4X<br>00182 |
|--|---|--|

# PC AMELIA ormar 2D

10

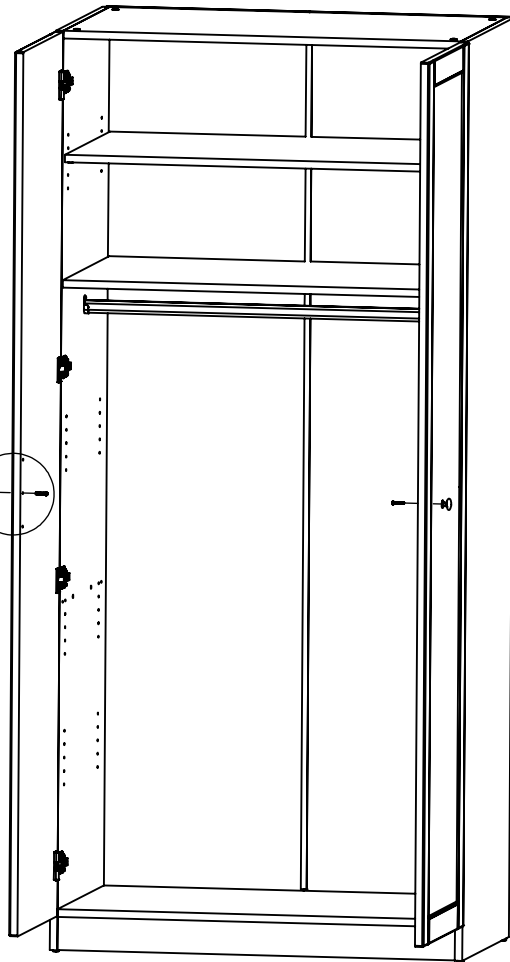
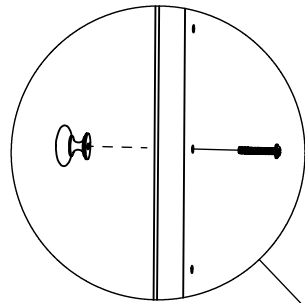
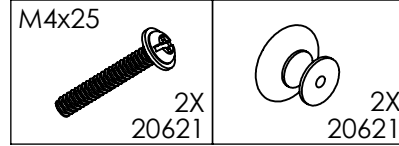
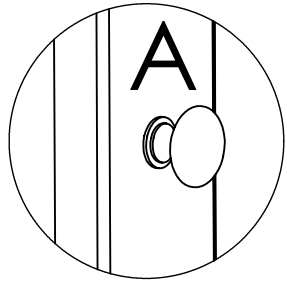


10



# PC AMELIA ormar 2D

11



11

